

Accessories



10.1. Voltage Attenuator

P10-1-1



- DN-843V-600V/DN-848VI-10V/DN-848VI-80V/DN-848VI-150V- - - - - P10-1-1

10.2. Current Transformer

P10-2-1



- DN-843I-CT-1/DN-843I-CT-10/DN-843I-CT-20/DN-843I-CT-50- - - - - P10-2-1

10.3. Signal Conditioning Modules (SG-3000 Series)

P10-3-1



- SG-3011/SG-3013/SG-3016/SG-3071/SG-3081 - - - - - P10-3-1
- PW-3090-24S/PW-3090-12S/PW-3090-5S/PW-3090-4824S-12- - - - - P10-3-1

10.4. Relay Modules

P10-4-1



- DN-PR4//RM-104, RM-108, RM-116/RM-204, RM-208, RM-216 - - - - - P10-4-1
- DN-SSR4/DN-SSR4DC
- RM-20.22/RM-22.22/RM-38.61/RM-48.61/RM-48.62

10.5. Power Supplies

P10-5-1



- KA-52F/DIN-KA52F/KA52F-48/DIN-KA52F-48- - - - - P10-5-1
- MDR-20-24/MDR-60-24/MDR-60-48
- DP-660/DP-1200

10.6. Touch Panel Monitor

P10-6-1



- TPM-4100/TP-4100 - - - - - P10-6-1
- TP-3070 - - - - - P10-6-2

10.7. MISC

P10-7-1



- I-7560/USB-2020/USB-2560/RK-3UD-R - - - - - P10-7-1



10.1. Voltage Attenuator

NEW



DN-843V-600V



DN-848VI-10V



DN-848VI-80V



DN-848VI-150V

Features

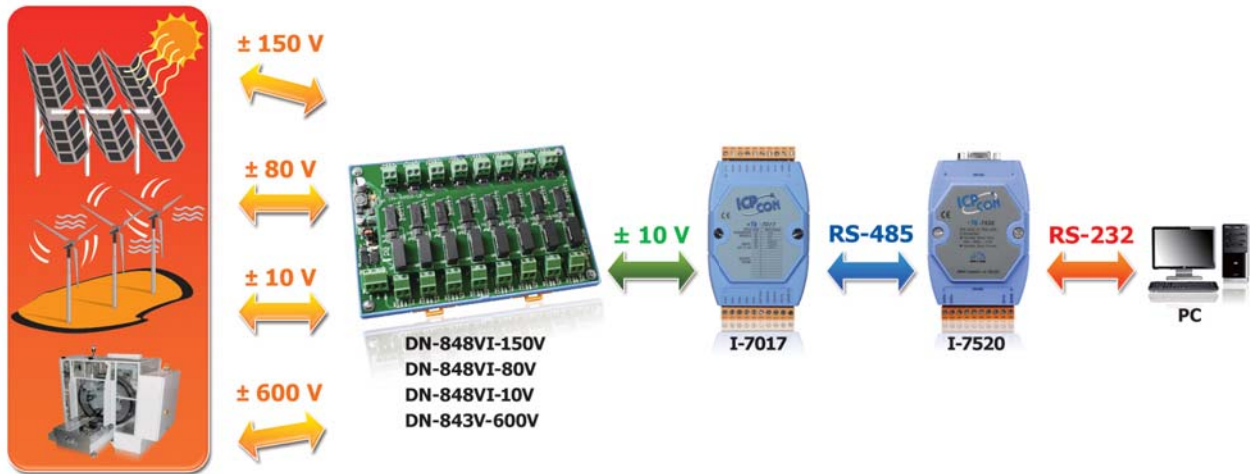
- AC/DC Source Input
- High Voltage Input Measurement
- Linear Attenuation Ratio
- High Input Impedance
- Channel to Channel Isolation for DN-848VI-10V, DN-848VI-80V and DN-848VI-150V
- 4 kV ESD Protection
- 3 kV Surge Protection
- RoHS Compliance
- Operating Temperature: -25 ~ +75°C
- Easily Wire Connection



Introduction

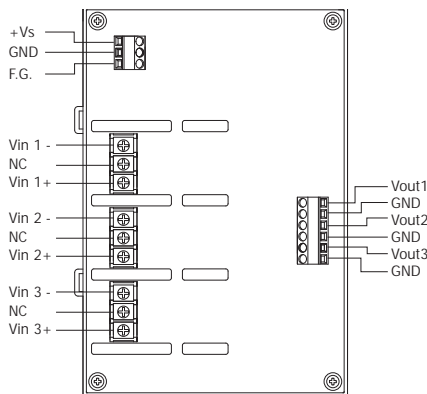
The DN-800V series are voltage input attenuator. The maximum input range is from ± 80 V to ± 600 V and can be attenuated to ± 10 V. The "I" version provide 3000 Vdc intra-modules isolation and 3000 Vdc channel to channel isolation to avoid the noise interference from inputs to outputs or channel to channel. It can be used with the analog input modules such as I-7017 and I-87017 etc. to measure the high voltage.

Applications

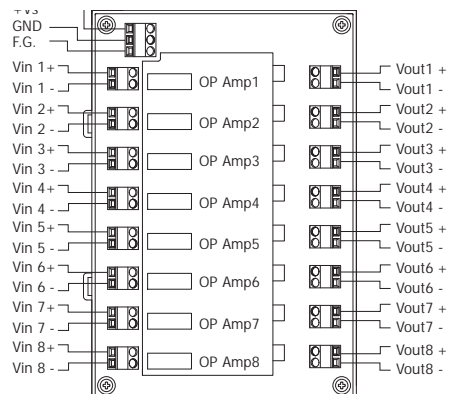


Appearance

DN-843V-600V



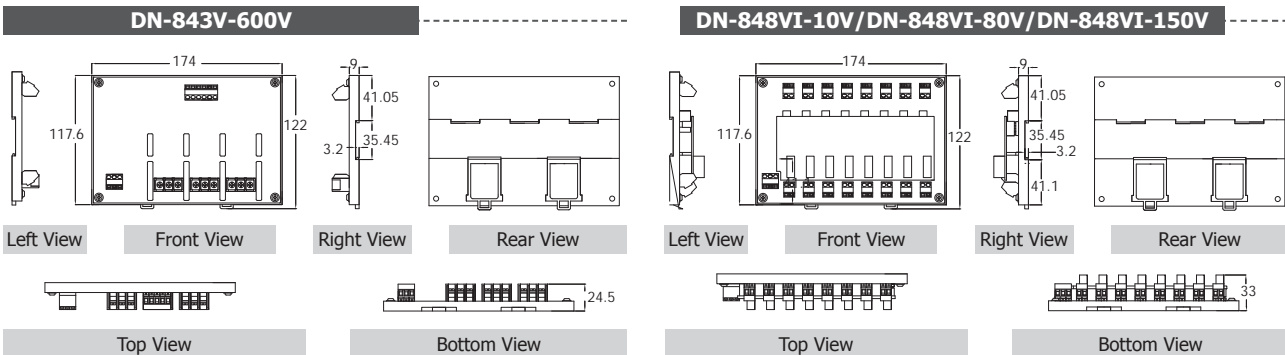
DN-848VI-10V/DN-848VI-80V/DN-848VI-150V



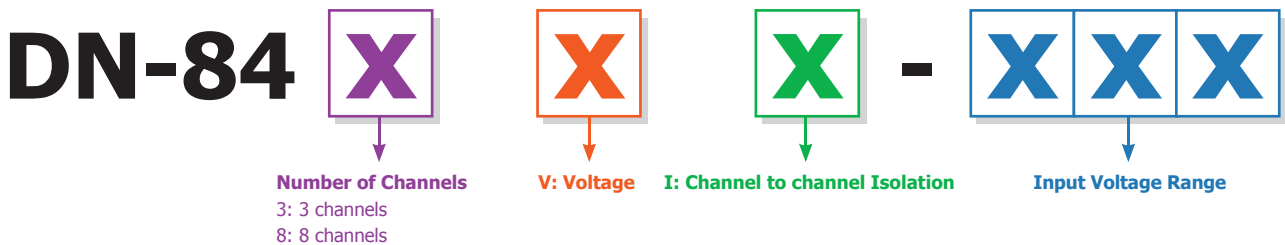
Specifications

Models	DN-848VI-10V	DN-848VI-80V	DN-848VI-150V	DN-843V-600V
General				
Channels	8	8	8	3
Input Type	AC/DC Voltage			
Input Range	+/- 10 V _{pp}	+/- 80 V _{pp}	+/- 150 V _{pp}	+/- 600 V _{pp}
Output Range	+/- 10 V _{pp}			
Accuracy	1% of FSR			
Chanel to Channel Isolation	Yes, 3000 V _{dc}			-
Bandwidth	30 KHz			100 KHz
Input Impedance	> 1 MΩ			
Intra-module Isolation, Input to Output	3000 V _{dc}			-
EMS Protection				
ESD (IEC 61000-4-2)	+/- 4 kV contact for power line, input and output channels , +/- 8 kV air for random point			
Surge (IEC 61000-4-5)	+/- 3 kV for power liner			
Power Input				
Input Range	+10 ~ +30 V _{dc}			
Power Consumption	9.2 W	9.2 W	9.2 W	0.56 W
Mechanical				
Dimensions (W x L x H)	122 mm x 174 mm x 33 mm			122 mm x 174 mm x 24.5 mm
Installation	DIN-Rail Mounting			
Environment				
Operating Temperature	-25 ~ + 75°C			
Storage Temperature	-30 ~ +75°C			
Humidity	10 ~ 90% RH (non-condensing)			

Dimensions (Units: mm)






Selection Guide



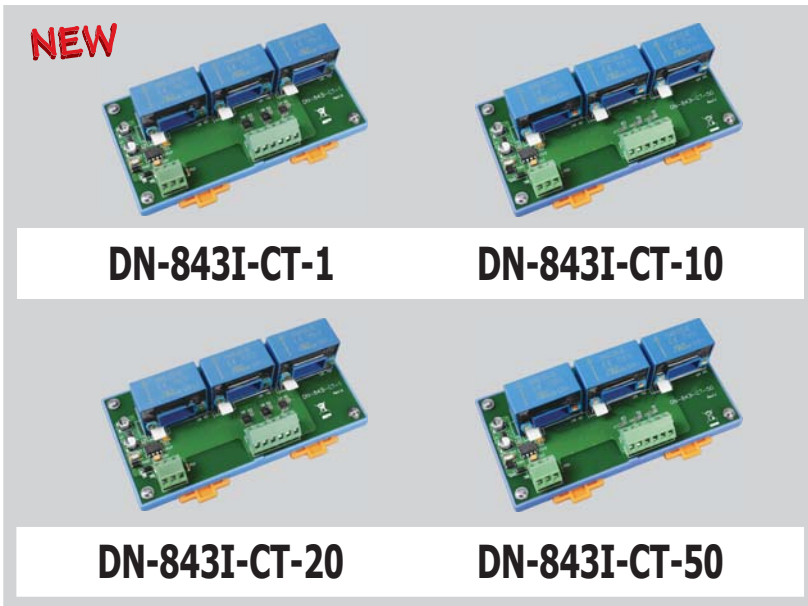
Ordering Information

DN-848VI-10V CR	8-channel 10 V Voltage Attenuator (RoHS)
DN-848VI-80V CR	8-channel 80 V Voltage Attenuator (RoHS)
DN-848VI-150V CR	8-channel 150 V Voltage Attenuator (RoHS)
DN-843V-600V CR	3-channel 600 V Voltage Attenuator (RoHS)

Accessories

 MDR-20-24 CR	24 V/1 A, 24 W Power Supply with DIN-Rail Mounting (RoHS)
 I-7017-G CR	8-channel Analog Input Module (RoHS)
 I-87017-G CR	8-channel Analog Input Module (RoHS)

10.2. Current Transformer



Features

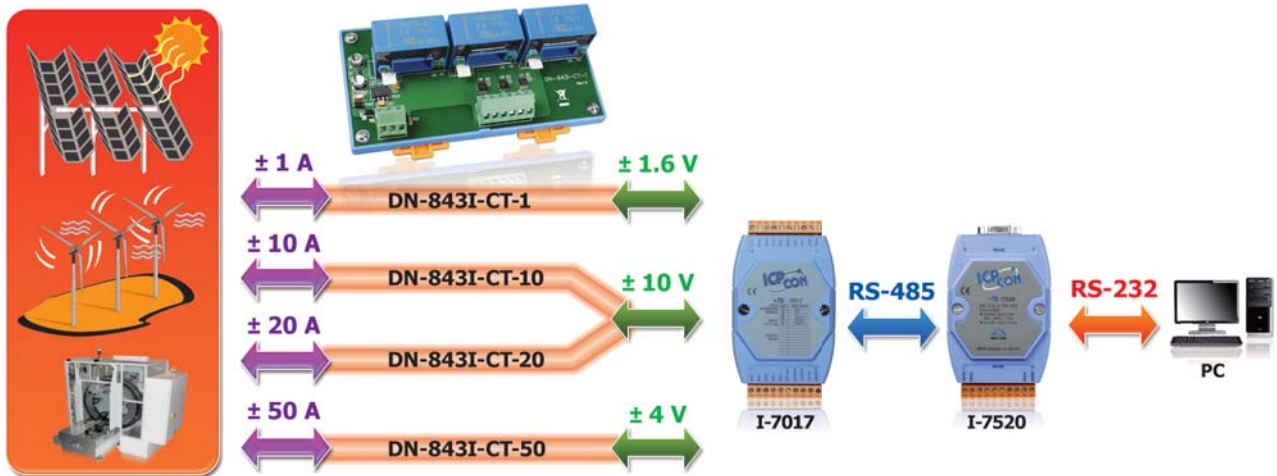
- AC/DC Source Input
- Linear Attenuation Ratio
- High Current Input Measurement
- Isolation Input
- Channel to Channel Isolation
- 4 kV ESD Protection
- RoHS Compliance
- Operating Temperature: -25 ~ +75°C
- Easily Wire Connection



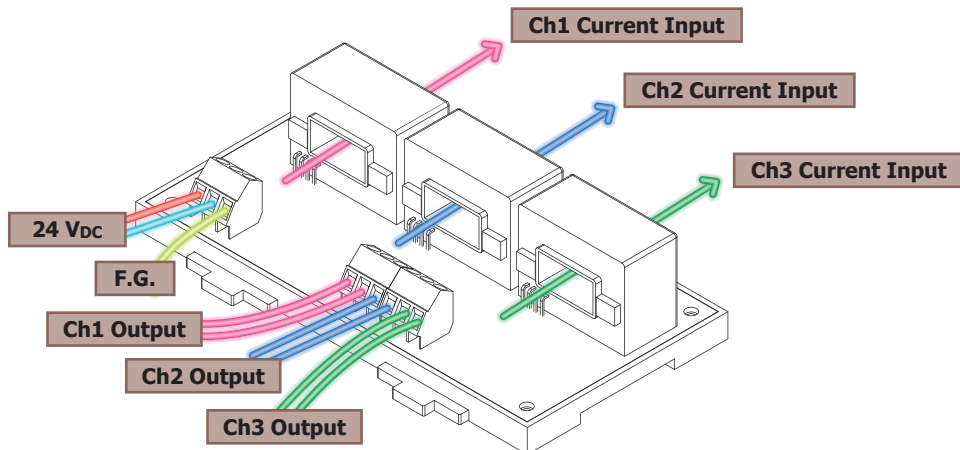
Introduction

The maximum input range is from ± 1 A to ± 50 A and can be attenuated to from ± 1.6 V to ± 10 V. The "I" version provide 3000 Vdc intra-modules isolation and 3000 Vdc channel to channel isolation to avoid the noise interference from inputs to outputs or channel to channel. It can be used with the analog input modules such as I-7017 and I-87017 etc. to measure the high current.

Applications



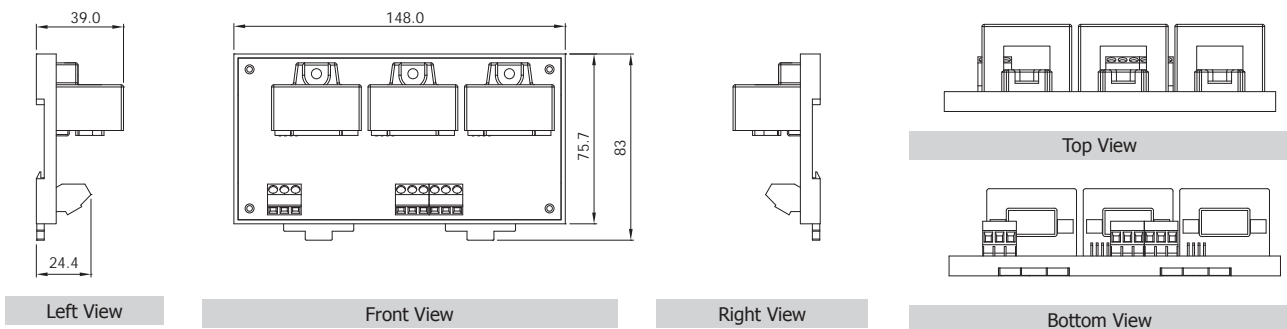
Installation



Specifications

Models	DN-843I-CT-1	DN-843I-CT-10	DN-843I-CT-20	DN-843I-CT-50
General				
Channels	3			
Input Type	AC/DC Current			
Input Range	+/- 1 A	+/- 10 A	+/- 20 A	+/- 50 A
Output Type	AC/DC Voltage			
Output Range	+/- 1.6 V _{pp}	+/- 10 V _{pp}	+/- 10 V _{pp}	+/- 4 V _{pp}
CT Type	Solid Core (closed)			
Accuracy	1% of FSR			
Chanel to Channel Isolation	Yes, 3000 V _{rms}			
Intra-module Isolation, Input to Output	3000 V _{oc}			
Bandwidth	50 KHz			
Input Impedance	> 1 MΩ			
EMS Protection				
ESD (IEC 61000-4-2)	+/- 4 kV contact for power line, input and output channels, +/- 8 kV air for random point			
Power Input				
Input Range	+10 ~ +24 V _{DC}			
Power Consumption	1.2 W			
Mechanical				
Dimensions (W x L x H)	148 mm x 83 mm x 39 mm			
Installation	DIN-Rail Mounting			
Environment				
Operating Temperature	-25 ~ + 75°C			
Storage Temperature	-30 ~ +75°C			
Humidity	10 ~ 90% RH (non-condensing)			

Dimensions (Units: mm)



Selection Guide

DN-84

X
X
-
XX
-
X

↓ **Number of Channels**
3: 3 channels

↓ **C: Current**




↓ **CT: Current Transformer**

↓ **Input Current Range**

Ordering Information

DN-843I-CT-1 CR	3-channel 1 A Current Transformer (RoHS)
DN-843I-CT-10 CR	3-channel 10 A Current Transformer (RoHS)
DN-843I-CT-20 CR	3-channel 20 A Current Transformer (RoHS)
DN-843I-CT-50 CR	3-channel 50 A Current Transformer (RoHS)

Accessories

 MDR-20-24 CR	24 V/1 A, 24 W Power Supply with DIN-Rail Mounting (RoHS)
 I-7017-G CR	8-channel Analog Input Module (RoHS)
 I-87017-G CR	8-channel Analog Input Module (RoHS)

10.3. Signal Conditioning Modules (SG-3000 Series)

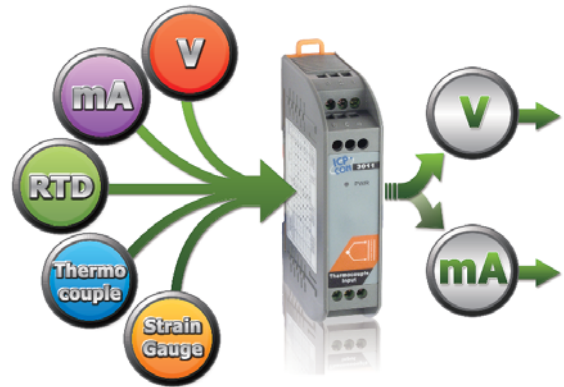
Introduction

SG-3000 series signal conditioning modules are used to accept wide range of input signals, such as voltage, current, temperature (thermocouple and RTD) and provide 0 ~ 10 V_{DC}, 0 ~ 20 mA, 4 ~ 20 mA output signals.

It gives following good features for industrial applications

- 3-way (power/input/output) isolation (1000 V_{DC})
- Wide operating temperature (-25 ~ +75°C)
- DIN-Rail mounting
- Input and output connectors on the opposite side
- Signal range configureable by switch

Applications








Description






Analog Conditioning Modules					
Models	SG-3011	SG-3013	SG-3016	SG-3071	SG-3081
Pictures					
Analog Input					
Channel	1	1	1	1	1
Wiring	Differential	2/3/4 wires	Differential	Differential	Differential
Signal	Thermocouple	RTD	Strain Gauge	Voltage	Current
Type	Type J, K, T, E, R, S, B, N, C, L, M, L2	Pt100 $\alpha=0.00385$, Pt100 $\alpha=0.003916$, Ni 120, Pt1000 $\alpha=0.00385$	± 10 mV, ± 20 mV, ± 30 mV, ± 50 mV, ± 100 mV	± 5 V, ± 10 V	0 ~ 20 mA, 4 ~ 20 mA
Resolution	12-bit		-	-	-
Accuracy	$\pm 0.2\%$ of FSR	$\pm 0.1\%$ of FSR	$\pm 0.1\%$ of FSR	$\pm 0.1\%$ of FSR	$\pm 0.1\%$ of FSR
Input Impedance	1.8 M Ω	-	-	1.6 M Ω	250 Ω
Excitation Voltage	-	-	0 ~ 10 V	-	-
Analog Output					
Channel	1	1	1	1	1
Current Output	0 ~ 20 mA	0 ~ 20 mA, 4 ~ 20 mA	0 ~ 20 mA	0 ~ 20 mA, 4 ~ 20 mA	0 ~ 20 mA, 4 ~ 20 mA
Voltage output	0 ~ 10 V	0 ~ 5 V, 0 ~ 10 V	± 5 V, ± 10 V, 0 ~ 5 V, 0 ~ 10 V	± 5 V, ± 10 V	0 ~ 5 V, 0 ~ 10 V
System					
3-way Isolation	1000 V _{DC}				
Power Input	10 ~ 30 V _{DC}				
Power Consumption	1.44 W	1.2 W	1.44 W	1.8 W	1.61 W
Operating Temperature	-25 ~ +75°C				
Dimensions (W x H x D)	25 mm x 114 mm x 71 mm				

Power Conditioning Modules				
Models	PW-3090-24S	PW-3090-12S	PW-3090-5S	PW-3090-4824S-12
Pictures				Available soon
Input	18 ~ 36 V (non-regulated)	18 ~ 36 V (non-regulated)	18 ~ 36 V (non-regulated)	48 V (non-regulated)
Output	24 V @ 0.4 A (Max.)	12 V @ 0.8 A (Max.)	5 V @ 2 A (Max.)	24V @ 0.5 A (Max.)
Isolation	1000 V _{DC}			
Efficiency	83% Typical			
Operating Temperature	-25 ~ +75°C			
Dimensions (W x H x D)	25 mm x 114 mm x 71 mm			

10.4. Relay Modules

Models	DN-PR4	RM-104, RM-108, RM-116	RM-204, RM-208, RM-216
Pictures			
Relay	VE-24H5-K	FINDER - 40.61.7.024.0000	FINDER - 44.52.7.024.0000
Type	Power Relay		
Channel	4	RM-104: 4 channels RM-108: 8 channels RM-116: 16 channels	RM-204: 4 channels RM-208: 8 channels RM-216: 16 channels
Contact	Form C	Form C (SPDT)	Form C (DPDT)
Operating Voltage Range	250 V _{AC} /30 V _{DC}	250 V _{AC}	250 V _{AC}
Max. Load Current	5 A	16 A	6 A
Operate Time	10 ms (Typical)	7 ms (Typical)	8 ms (Typical)
Release Time	5 ms (Typical)	3 ms (Typical)	5 ms (Typical)
LED Indicator	Yes (for Relay status)		
Mechanical			
Dimensions (W x L x D)	96 mm x 103 mm x 34 mm	RM-104: 79 mm x 87 mm x 63 mm RM-108: 135 mm x 87 mm x 63 mm RM-116: 270 mm x 87 mm x 63 mm	RM-204: 90 mm x 87 mm x 63 mm RM-208: 169 mm x 87 mm x 63 mm RM-216: 327 mm x 87 mm x 63 mm
Installation	DIN-Rail Mounting		

Models	DN-SSR4	DN-SSR4DC
Pictures		
Relay	A5P-204U	D3P-054
Type	Solid-State Relay	
Channel	4 channels	
Contact	Form A (SPST)	
Operating Voltage Range	250 V _{AC} /30 V _{DC}	50 V _{DC}
Max. Load Current	4 A	
Operate Time	1/2 Cycle + 1ms and below	0.5 ms and below (Resistance load)
Release Time	1/2 Cycle + 1ms and below	0.5 ms and below (Resistance load)
LED Indicator	Yes (for Relay status)	
Mechanical		
Dimensions (W x L x D)	101 mm x 77 mm x 66 mm	
Installation	DIN-Rail Mounting	

Models	RM-20.22	RM-22.22	RM-38.61	RM-48.61	RM-48.62
Pictures					
Relay	Finder 20.22.9.024.4000	Finder 22.22.9.024.4000	Finder 34.51.7.024.0010	FINDER - 40.61.7.024.0000	FINDER - 44.62.7.024.0000
Type	Step Relay		Power Relay		
Channel	1				
Contact	Form A (DPST)	Form A (DPST)	Form C (SPDT)	Form C (SPDT)	Form C (SPDT)
Operating Voltage Range	230 V _{AC}	230 V _{AC}	250 V _{AC}	250 V _{AC}	250 V _{AC}
Max. Load Current	16 A	20 A	6 A	16 A	10 A
Operate Time	15 ms	15 ms	5 ms	7 ms	7 ms
Release Time	8 ms	8 ms	3 ms	3 ms	3 ms
LED Indicator	-				
Mechanical					
Dimensions (W x L x D)	17.5 mm x 84 mm x 62.7 mm		76.5 mm x 6.5 mm x 89 mm	75 mm x 15.5 mm x 78.5 mm	
Installation	DIN-Rail Mounting				

- Note1:** **RM-38.61:** 5 pcs in one package
- RM-48.61:** 4 pcs in one package
- RM-48.62:** 4 pcs in one package

Note2: **RM-38-093.20** is a 20-way jumper link for RM-38.61



10.5. Power Supplies

NEW

 KA-52F
KA-52F-48

 DIN-KA52F
DIN-KA52F-48


KA-52F/DIN-KA52F
KA52F-48/DIN-KA52F-48



Specifications

Models	KA-52F	DIN-KA52F	KA-52F-48	DIN-KA52F-48
Input				
Range	100 ~ 250 Vac			
Frequency	50 ~ 60 Hz			
Output				
Power	24 Vdc/1.04 A Max., 25 W		48 Vdc/0.52 A Max., 25 W	
Mechanical				
Dimensions (W x H x D, Units: mm)	54 x 93 x 36	68 x 107 x 50	54 x 93 x 36	68 x 107 x 50
Installation	No-mounting	DIN-Rail Mounting	No-mounting	DIN-Rail Mounting
Environmental				
Operating Temperature	0 ~ +50°C			
Storage Temperature	-20 ~ +85°C			

Ordering Information

KA-52F CR	24 Vdc/1.04 A, 25 W Power Supply (RoHS)
DIN-KA52F CR	24 Vdc/1.04 A, 25 W Power Supply with DIN-Rail Mounting (RoHS)
KA-52F-48 CR	48 Vdc/0.52 A, 25 W Power Supply (RoHS)
DIN-KA52F-48 CR	48 Vdc/0.52 A, 25 W Power Supply with DIN-Rail Mounting (RoHS)

NEW


MDR-20-24



MDR-60-24/MDR-60-48

MDR-20-24
MDR-60-24
MDR-60-48



Specifications

Models	MDR-20-24	MDR-60-24	MDR-60-48
Input			
Range	100 ~ 250 Vac		
Frequency	50 ~ 60 Hz		
Output			
Power	24 Vdc/1 A Max., 24 W	24 Vdc/2.5 A Max., 60 W	48 Vdc/1.25 A Max., 60 W
Mechanical			
Dimensions (W x H x D)	22.5 mm x 90 mm x 100 mm	40 mm x 90 mm x 100 mm	40 mm x 90 mm x 100 mm
Installation	DIN-Rail Mounting		
Environmental			
Operating Temperature	-20 ~ +70°C		
Storage Temperature	-20 ~ +85°C		

Ordering Information

MDR-20-24 CR	24 Vdc/1 A, 24 W Power Supply with DIN-Rail Mounting (RoHS)
MDR-60-24 CR	24 Vdc/2.5 A, 60 W Power Supply with DIN-Rail Mounting (RoHS)
MDR-60-48 CR	48 Vdc/1.25 A, 60 W Power Supply with DIN-Rail Mounting (RoHS)

Specifications

Models	DP-660	DP-1200
Input		
Range	100 ~ 250 Vac	
Frequency	50 ~ 60 Hz	
Output		
Power	24 Vdc/2.5 A Max., 60 W and 5 Vdc/0.5 A Max., 2.5 W	24 Vdc/5.0 A Max., 120 W
Mechanical		
Dimensions (W x H x D)	44 mm x 145 mm x 158 mm	65 mm x 111 mm x 125 mm
Installation	DIN-Rail Mounting	
Environmental		
Operating Temperature	0 ~ +50°C	-10 ~ +70°C
Storage Temperature	-20 ~ +85°C	-25 ~ +85°C

Ordering Information

DP-660 CR	24 Vdc/2.5 A, 60 W and 5 Vdc/0.5 A, 2.5 W Power Supply with DIN-Rail Mounting (RoHS)
DP-1200 CR	24 Vdc/5.0 A, 120 W Power Supply with DIN-Rail Mounting (RoHS)

10.6. Touch Panel Monitor

NEW



TPM-4100/TP-4100
10.4" Touch Panel Monitor

Features

- 10.4" LCD supports 800 x 600 resolution
- Resistive Touch Panel
- Full-function OSD control
- Driver Support: Windows 2k/XP/Vista/7/WES WinCE 5.0/6.0
- LED backlight technology
- Aluminum Casing for TPM-4100
- IP65 Compliant Front Panel
- Wide operating temperature: -25 ~ +75°C

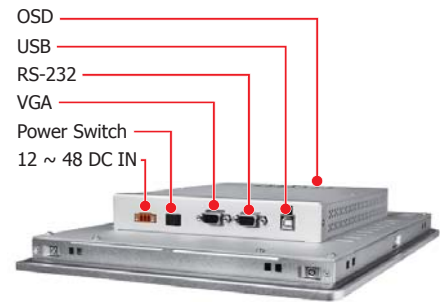


Specifications

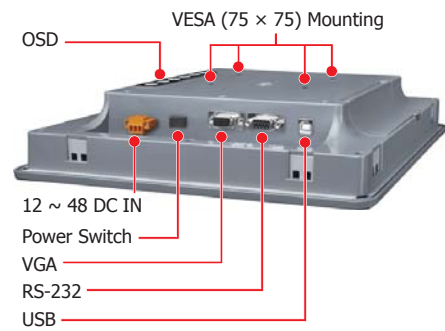
Models	TPM-4100	TP-4100
Display		
Size	10.4"	
Resolution	800 x 600	
Max. Color	16.7 M	
Brightness (cd/m2)	320	
Contrast Ratio	500 : 1	
Viewing Angle (H/V)	140/130	
Backlight Life (hrs)	50,000	
Touch Panel	4-wire	5-wire
	analog resistive, RS-232 or USB1.1 (Type B) interface	
Input Signal	VGA (Analog RGB)	
MMI (Man Machine Interface)		
OSD Control	Functions: Brightness, Contrast, Phase, Horizontal Position, Vertical Position and Sharpness	
Power Switch	Yes	
LED Indicators	Power, Display signal is detected	
Power		
Input Range	+12 ~ 48 Vdc	
Power Consumption	8.5 W	
Mechanical		
Material	Aluminum	Plastic
Dimensions (W x L x H)	293 mm x 231 mm x 53 mm	290 mm x 228 mm x 53 mm
Installation	Panel Mounting	Panel Mounting, VESA (75 x 75) Mounting
Ingress Protection	Front panel: IP65	
Environmental		
Operating Temperature	-25 ~ +75°C	
Storage Temperature	-30 ~ +80°C	
Ambient Relative Humidity	10 ~ 90% RH (non-condensing)	

Appearance

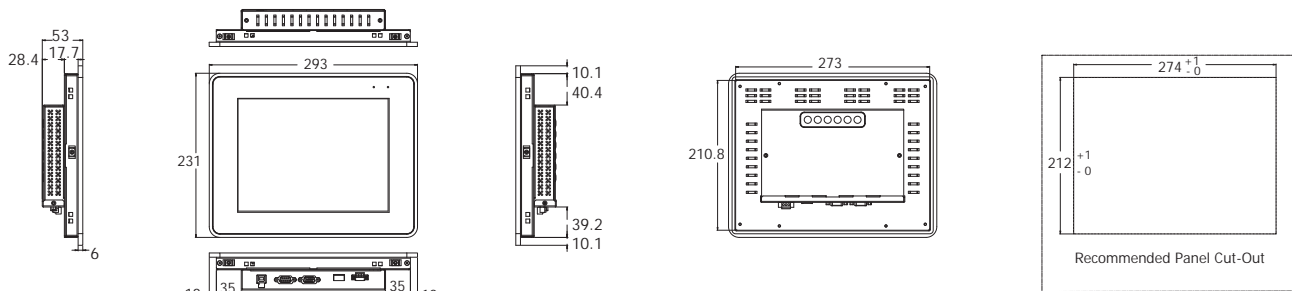
TPM-4100



TP-4100



TPM-4100 Dimensions (Units: mm)



Ordering Information

TP-4100	10.4" (800 x 600) resistive touch panel monitor with RS-232 or USB interface Accessories: Power supply, VGA cable, RS-232 cable, USB cable, Mounting clamps and screws
TPM-4100	TP-4100 with Aluminum Casing



Available soon

TP-3070
7" Touch Panel Monitor

Features

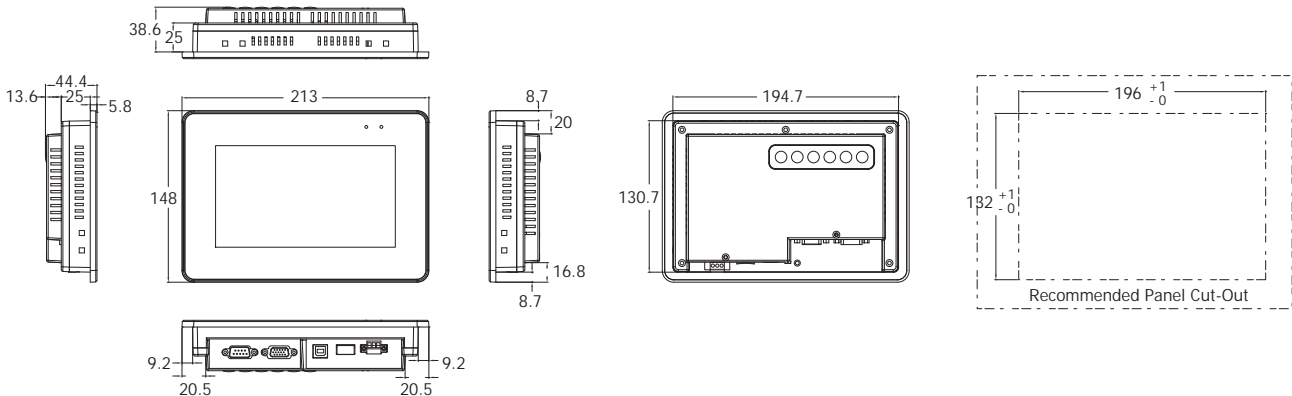
- 7" LCD supports 800 x 480 resolution
- Resistive Touch Panel
- Full-function OSD control
- Driver Support: Windows 2k/XP/Vista/7/WES WinCE 5.0/6/0
- LED backlight technology
- IP65 Compliant Front Panel
- Wide operating temperature: -20 ~ +70°C



Specifications

Models	TP-3070
Display	
Size	7"
Resolution	800 x 480
Brightness (cd/m2)	320
Contrast Ratio	500 : 1
Viewing Angle (H/V)	140/120
Backlight Life (hrs)	20,000
Touch Panel	4-wire, analog resistive, RS-232 or USB1.1 (TypeB) interface
Input Signal	VGA (Analog RGB)
MMI (Man Machine Interface)	
OSD Control	Functions: Brightness, Contrast, Clock, Phase, Horizontal Position, Vertical Position and Sharpness
Power Switch	Yes
LED Indicators	Power, Display signal is detected
Power	
Input Range	+12 ~ 48 Vdc
Power Consumption	5 W
Mechanical	
Dimensions (W x L x H)	213 mm x 148 mm x 44 mm
Casing	Plastic
Ingress Protection	Front panel: IP65
Environmental	
Operating Temperature	-20 ~ +70°C
Storage Temperature	-30 ~ +80°C
Ambient Relative Humidity	10 ~ 90% RH (non-condensing)

Dimensions (Units: mm)



Ordering Information

TP-3070

7" (800 x 480) resistive touch panel monitor with RS-232 or USB interface
Accessories: Power supply, VGA cable, RS-232 cable, USB cable, Mounting clamps and screws

10.7. MISC



I-7560

USB to RS-232 Converter



Specifications

Interface	
USB	Compatibility: USB 1.1 and 2.0 standards
RS-232	TxD, RxD, RTS, CTS, DSR, DTR, DCD, RI and GND; non-isolated
Baud Rate	300 ~ 115200 bps
Driver	Windows 98/ME/2000/XP/Vista (32/64-bit)/7 (32/64-bit)/Linux
Mechanical	
Dimensions (W x H x D)	33 mm x 60 mm x 15 mm
Environmental	
Operating Temperature	-25 ~ +75°C
Storage Temperature	-30 ~ +75°C

Ordering Information

I-7560 CR	USB to RS-232 Converter (RoHS)
-----------	--------------------------------

NEW



USB-2020

USB Audio Device



Specifications

Interface	
Output Channels	Mono, Stereo (L + R)
Input Channels	Mono, Stereo (L + R)
Button	HID volume up, volume down and Mute
Input Voltage Range	+10 ~ +30 V _{DC}
Mechanical	
Dimensions (W x H x D)	33 mm x 107 mm x 78 mm
Installation	DIN-Rail Mounting
Environmental	
Operating Temperature	-25 ~ +75°C
Storage Temperature	-40 ~ +85°C

Ordering Information

USB-2020 CR	USB Audio Device (RoHS)
-------------	-------------------------

NEW



USB-2560

4-Port Industrial USB 2.0 Hub



Specifications

Interface	
Ports	Upstream x 1 (Type B); Downstream x 4 (Type A)
Compatibility	Specification Rev. 2.0/1.1/1.0
Transfer Speed	480 Mbit/s-high speed mode
Input Voltage Range	+10 ~ +30 V _{DC}
Mechanical	
Dimensions (W x H x D)	33 mm x 107 mm x 78 mm
Installation	DIN-Rail Mounting
Environmental	
Operating Temperature	-0 ~ +70°C
Storage Temperature	-20 ~ +80°C

Ordering Information

USB-2560 CR	4-port Industrial USB 2.0 Hub (RoHS)
USB-2560/S CR	4-port Industrial USB 2.0 Hub (RoHS) with GPSU06U-6 (Power Supply)



RK-3UD-R

19" Rack Mounting Kit, 3U



Specifications

Mechanical	
Dimensions (W x H x D)	481 mm x 132 mm x 125 mm

Ordering Information

RK-3UD-R	19" Rack Mounting Kit, 3U
----------	---------------------------

Model Index

Model Name	Page	Model Name	Page	Model Name	Page	Model Name	Page
C		iP-8447	2-4-5	I-8058W	5-3-1	I-8063W	5-3-6
CAN-8123	6-5-3	iP-8817	2-4-5	I-87040W	5-3-2	I-87042W	5-3-7
CAN-8223	6-5-3	iP-8847	2-4-5	I-87040PW	5-3-2	I-87054W	5-3-7
CAN-8423	6-5-3	I-87005W	5-2-1	I-87046W	5-3-2	I-87055W	5-3-7
CAN-8823	6-5-3	I-87013W	5-2-1	I-87051W	5-3-2	I-87063W	5-3-7
CAN-8124	6-5-5	I-87015PW	5-2-2	I-87052W	5-3-2	I-8026PW	5-4-1
CAN-8224	6-5-5	I-87015W	5-2-2	I-87058W	5-3-2	I-87016W	5-4-1
CAN-8424	6-5-5	I-8014W	5-2-3	I-87059W	5-3-2	I-87026PW	5-4-1
CAN-8824	6-5-5	I-8017DW	5-2-3	I-87053W	5-3-3	I-87089W/S	5-5-1
		I-8017HCW	5-2-3	I-87053PW	5-3-3	I-8084W	5-6-1
		I-8017HW	5-2-3	I-87053W-A5	5-3-3	I-8088W	5-6-1
D		I-8024DW	5-2-3	I-87053W-AC1	5-3-3	I-87082W	5-6-1
DN-843V-600V	10-1-1	I-8024W	5-2-3	I-87053W-E5	5-3-3	I-87084W	5-6-1
DN-848VI-10V	10-1-1	I-87017DW	5-2-4	I-8037W	5-3-4	I-87088W	5-6-1
DN-848VI-80V	10-1-1	I-87017RCDW	5-2-4	I-8041W	5-3-4	I-8092F	5-7-1
DN-848VI-150V	10-1-1	I-87017RCDW-AI	5-2-4	I-8041RW	5-3-4	I-8093W	5-7-1
DN-843I-CT-1	10-2-1	I-87017RCW	5-2-4	I-8041AW	5-3-4	I-8094	5-7-1
DN-843I-CT-10	10-2-1	I-87017RW	5-2-4	I-8056W	5-3-4	I-8094A	5-7-1
DN-843I-CT-20	10-2-1	I-87017W	5-2-4	I-8057W	5-3-4	I-8094F	5-7-1
DN-843I-CT-50	10-2-1	I-87017W-A5	5-2-4	I-8057RW	5-3-4	I-8094H	5-7-1
DN-PR4	10-4-1	I-87017ZW	5-2-4	I-8057PW	5-3-4	I-7510	5-8-1
DN-SSR4	10-4-1	I-87018PW	5-2-5	I-8060W	5-3-4	I-7510A	5-8-1
DN-SSR4DC	10-4-1	I-87018RW	5-2-5	I-8064W	5-3-4	I-7510AR	5-8-1
DP-660	10-5-1	I-87018W	5-2-5	I-8068W	5-3-4	I-7513	5-8-1
DP-1200	10-5-1	I-87018ZW	5-2-5	I-8069RW	5-3-4	I-7514U	5-8-1
DIN-KA52F	10-5-1	I-87019PW	5-2-6	I-8069W	5-3-4	I-7520	5-8-1
DIN-KA52F-48	10-5-1	I-87019RW	5-2-6	I-87037W	5-3-5	I-7520A	5-8-1
		I-87019ZW	5-2-6	I-87041W	5-3-5	I-7520AR	5-8-1
G		I-87024W	5-2-7	I-87057W	5-3-5	I-7520R	5-8-1
GW-7437	5-10-1	I-87024CW	5-2-7	I-87057PW	5-3-5	I-7520U4	5-8-1
GW-7557	5-10-1	I-87024DW	5-2-7	I-87061W	5-3-5	I-7551	5-8-1
		I-87024RW	5-2-7	I-87064W	5-3-5	I-8112iW	5-8-1
H		I-87024UW	5-2-7	I-87065W	5-3-5	I-8114iW	5-8-1
HART-710	5-10-1	I-87028CW	5-2-7	I-87066W	5-3-5	I-8114W	5-8-1
		I-8040PW	5-3-1	I-87068W	5-3-5	I-8142iW	5-8-1
I		I-8040W	5-3-1	I-87069W	5-3-5	I-8144iW	5-8-1
iP-8411	2-4-3	I-8046W	5-3-1	I-87069PW	5-3-5	I-2532	5-9-2
iP-8811	2-4-3	I-8048W	5-3-1	I-8042W	5-3-6	I-2533	5-9-2
iP-8441	2-4-3	I-8051W	5-3-1	I-8050W	5-3-6	I-7530	5-9-2
iP-8841	2-4-3	I-8052W	5-3-1	I-8054W	5-3-6	I-7530A	5-9-2
iP-8441-FD	2-4-3	I-8053W	5-3-1	I-8054RW	5-3-6	I-7530A-MR	5-9-2
iP-8841-FD	2-4-3	I-8053PW	5-3-1	I-8055W	5-3-6	I-7530-FT	5-9-2
iP-8417	2-4-5						

Model Name	Page
I-7531	5-9-2
I-7532	5-9-2
I-7540D	5-9-2
I-7540D-MTCP	5-9-2
I-7540D-WF	5-9-2
I-7565	5-9-2
I-7565-H1	5-9-2
I-7565-H2	5-9-2
I-8120W	5-9-2
I-8123W	5-9-2
I-8124W	5-9-2
I-87123	5-9-2
I-87124	5-9-2
I-87H17W	5-10-1
I-87H24W	5-10-1
I-7547	5-10-1
I-7567	5-10-1
I-7570	5-10-1
I-8172W	5-11-1
I-8212W	5-12-1
I-8212W-3GWA	5-12-1
I-8213W	5-12-1
I-8213W-3GWA	5-12-1
I-87211W	5-12-1
iP-8441-MTCP	6-3-2
iP-8841-MTCP	6-3-2
I-7188XG	7-1-6
I-7188XGD	7-1-6
I-7188	7-1-9
I-7188D	7-1-9
I-7188XA	7-1-9
I-7188XAD	7-1-9
I-7188XB	7-1-9
I-7188XBD	7-1-9
I-7188XC	7-1-9
I-7188XCD	7-1-9
I-7188EA	7-1-11
I-7188EAD	7-1-11
I-7188EX	7-1-11
I-7188EXD	7-1-11
I-7560	10-7-1
iDCS-8830	9-1-3

Model Name	Page
iDCS-8830R	9-1-3
K	
KA-52F	10-5-1
KA52F-48	10-5-1
L	
LP-8131	2-3-3
LP-8431	2-3-3
LP-8831	2-3-3
LP-8141	2-3-3
LP-8441	2-3-3
LP-8841	2-3-3
LP-8081	2-3-5
LP-8381	2-3-5
LP-8781	2-3-5
LP-8181-Atom	2-3-5
LP-8381-Atom	2-3-5
LP-8781-Atom	2-3-5
LP-5131	8-3-3
LP-5131-OD	8-3-3
LP-5141	8-3-3
LP-5141-OD	8-3-3
LP-5231	8-3-5
LP-5231-2G	8-3-5
LP-5231-3G	8-3-5
LP-5231-GPS	8-3-5
LP-5231-WF	8-3-5
LP-5231-ZH	8-3-5
LP-5231-ZS	8-3-5
M	
MP-8343	4-1-4
MP-8743	4-1-4
MP-8353	4-1-4
MP-8753	4-1-4
MDR-20-24	10-5-1
MDR-60-24	10-5-1
MDR-60-48	10-5-1
P	
PROFI-8155	6-6-2

Model Name	Page
PROFI-8255	6-6-2
PROFI-8455	6-6-2
PROFI-8855	6-6-2
PW-3090-5S	10-3-1
PW-3090-12S	10-3-1
PW-3090-24S	10-3-1
PW-3090-4824S-12	10-3-1
R	
RU-87P1	6-2-2
RU-87P2	6-2-2
RU-87P4	6-2-2
RU-87P8	6-2-2
RM-20.22	10-4-1
RM-22.22	10-4-1
RM-38.61	10-4-1
RM-48.61	10-4-1
RM-48.62	10-4-1
RM-104	10-4-1
RM-108	10-4-1
RM-116	10-4-1
RM-204	10-4-1
RM-208	10-4-1
RM-216	10-4-1
RK-3UD-R	10-7-1
S	
SG-3011	10-3-1
SG-3013	10-3-1
SG-3016	10-3-1
SG-3071	10-3-1
SG-3081	10-3-1
T	
tM-7510U	8-8-1
tM-7520U	8-8-1
TPM-4100	10-6-1
TP-4100	10-6-1
TP-3070	10-6-2
U	
USB-87P1	5-4-2

Model Name	Page
USB-87P2	5-4-2
USB-87P4	5-4-2
USB-87P8	5-4-2
USB-2020	10-7-1
USB-2560	10-7-1
V	
VH-2110	3-2-1
VP-2111	3-2-1
VP-2117	3-2-3
VP-23W1	3-2-7
VP-25W1	3-2-7
VP-4131	3-2-9
VP-23W7	3-2-11
VP-25W7	3-2-11
VP-4137	3-2-11
VP-23W9	3-2-16
VP-25W9	3-2-16
VP-4139	3-2-16
W	
WP-8131	2-2-3
WP-8431	2-2-3
WP-8831	2-2-3
WP-8141	2-2-3
WP-8441	2-2-3
WP-8841	2-2-3
WP-8051	2-2-3
WP-8351	2-2-3
WP-8751	2-2-3
WP-8137	2-2-6
WP-8437	2-2-6
WP-8837	2-2-6
WP-8147	2-2-6
WP-8447	2-2-6
WP-8847	2-2-6
WP-8057	2-2-6
WP-8357	2-2-6
WP-8757	2-2-6
WP-8139	2-2-11
WP-8439	2-2-11
WP-8839	2-2-11



G-4511-2G/G-4511P-2G

M2M Power Saving Mini-Programmable Automation Controller



FEATURES

- ⌚ Sleep mode for energy saving and backup battery
- ♻️ Built-in Solar Panel charging circuit
- ☑️ Configurable sleep mode for maximum power savings.
- ❓ Automatic power supply selection - constant power supply, solar cell, or backup battery
- ✈️ Integrated GPS/GPRS function in the controller

Go Green!